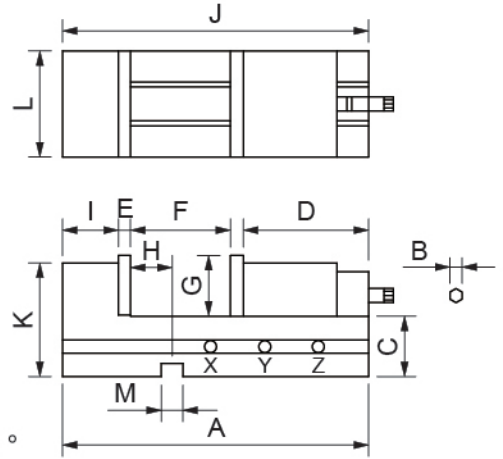
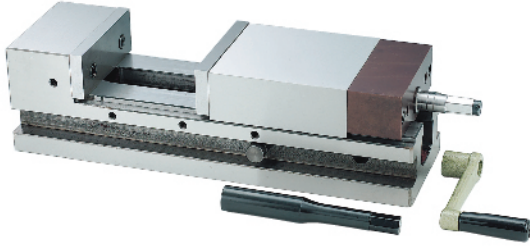




35059

MC精密油壓角固虎鉗 MC PRECISION HYDRAULIC ANGLE VISE



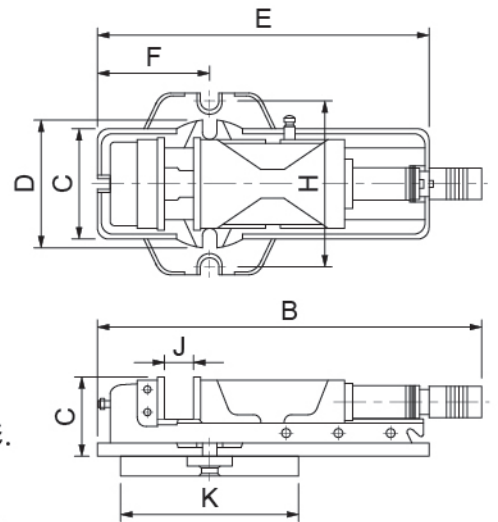
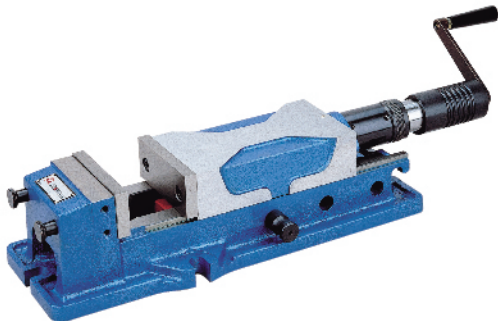
- 適合CNC立式綜合加工機及一般銑床使用。
- 虎鉗本體採定寸規格，可多台併列使用並可側臥兩用。
- 虎鉗滑座尾端下方，加裝固定塊，防止移動時造成晃動。
- 虎鉗滑面熱處理HRC45°以上並精密研磨。
- 內藏角固結構，夾持工件時，虎鉗口自然向前向下鎖緊防止工件上浮。
- 本體材料採用FCD60一體成形鑄鐵製造，高剛性、抗張力強、不易變形。
- Suitable for CNC vertical machine center and milling machine use.
- Vise body adopt fixed size, can use more than one also for side and horizontal using.
- End of the slide of vise with fixed block, prevent movement.
- With built angle structure, vise forward locked down to prevent floating while clamping workpiece
- Vise body use by FCD60 material, integrally molded cast iron, high rigidity, not easy to deformed.
- Vise slip surface heat HRC45° above and precision grinding.

單位: mm

訂購編號 Order No.	型號 Model	A	B	C	D	E	F	G	H	I	J	K	L	M	X	Y	Z	夾持力(kgf) Power	重量(kg) Weight
35059-10	THAC-100	385	14	58	179	12.5	170	42	45	64.5	440	98	105	18	0~85	85~170	-	2500	22
35059-15	THAC-150	505	19	85	250	15.5	270	57	65	84.5	698	140	152	18	0~90	90~180	180~270	5000	50
35059-20	THAC-200	576	19	102	252	18.5	300	62	82	89.5	760	162	200	18	0~98	97~198	197~300	7000	80

35060

外藏式油壓虎鉗 MULTI LOCK-WELL VISE



- 機械式/油壓式可單獨或合併使用，適用於銑床/模具業加工。
- 角固式半圓球可產生角固下鎖之力，可消除虎口上浮和工件傾斜。
- 虎鉗滑動面及底面，經過精密研磨，平行度精準。
- 虎鉗本體使用球狀石墨化鑄鐵FCD60製造，抗張力強，耐磨性高不易變形。
- 虎鉗滑動面熱處理HRC45°以上，可保持長久耐磨及精度。
- 可接受多台同尺寸訂購，高度、垂直度、平行度在0.01/100mm內。
- Mechanical / hydraulic type can be used individual or combined with others. It's suitable for milling machine and mold processing.
- Solid angle of the ball-type semi-circular solid angle can be produced under the power of locking, floating, and the work piece can be tilted to eliminate.
- The sliding base and bottom of vise is under precision ground, and the parallelism is precision.
- Vise is made of cast iron FCD60 with spherical graphite, and good anti tension, not deformed.
- The sliding surface of vise is heat treated HRC45°, can be maintained long-term wear and accuracy.
- Order more of same size is acceptable, Height, vertical, parallel within the 0.01/100mm.

單位: mm

訂購編號 Order No.	型號 Model	B	C	D	E	F	H	J	K	L	夾持力(kgf) Power	重量(kg) Weight
35060-05	MCL-HC500	570 / 795	170	190	505	180	260	0~220	266	106	3500	37
35060-06	MCL-HC600	625 / 935	210	240	605	195	310	0~310	320	117	4000	57
35060-08	MCL-HC800	725 / 1035	240	280	700	265	390	0~310	420	146	6000	90
35060-10	MCL-HC1000	815 / 1155	290	320	810	320	410	0~340	420	190	7000	140