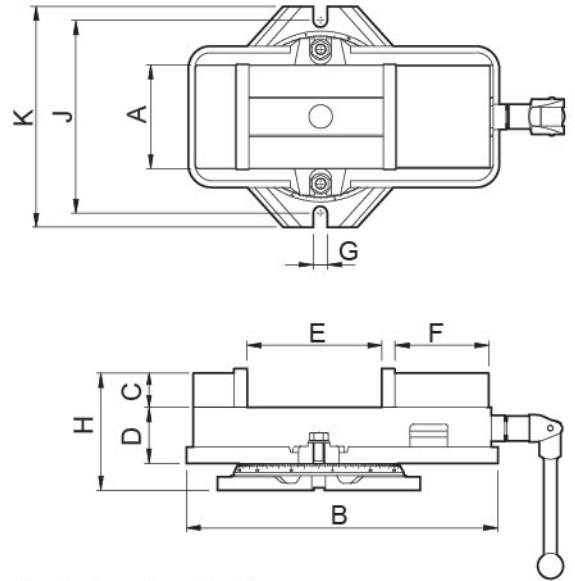


**35056**

**角固虎鉗 MULTI LOCK-WELL VISE**



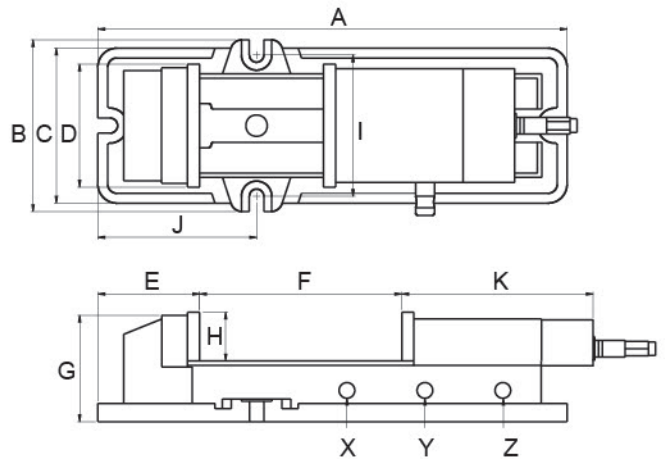
- FCD50鑄鐵製造,剛性強,不易變形.
- 角固型設計,夾持工件時,虎口自然向前向下鎖緊.
- 底座有度數刻度可360度旋轉.
- Made of FCD50 cast iron, rigid and strong, not easily deformed.
- Angle-solid designed, clamp the work piece, the jaws is moved down the lock automatically.
- There are scale on the base, and can be rotated 360 degrees.

單位: mm

訂購編號 Order No.	型號 Model	A	B	C	D	E	F	G	H	J	K	重量(kg) Weight
35056-40	MCL-AV40	106	320	28	60	100	102	14	118	208	242	20
35056-50	MCL-AV50	138	358	32	66	115	130	16	130	250	280	29
35056-60	MCL-AV60	155	420	40	72	154	140	18	152	290	328	40
35056-80	MCL-AV80	206	554	52	84	200	170	18	180	382	420	82

**35058**

**角固油壓虎鉗 COMPACT HYDRAULIC VISE**



- 角固型設計,夾持工件時,虎鉗口自然向前向下鎖緊.防止工件上浮.
- 內藏式油壓.增壓設計,只要以瞬間之力輕敲把手,即自動轉換成增壓進給.
- 本體和固定虎口為一體成形,FC30鑄鐵製造,剛性強不易變形.
- 虎鉗滑面熱處理HRC45度以上,並經精密研磨.
- Angle-solid designed. When clamping the work piece, vise lock down automatically. To avoid the work piece float.
- Built-in oil booster designed to handle and tap the power of instant, automatic conversion to pressurized feed.
- Main body and fixed jaws are shaped in whole. Made of FC30 cast iron, which is rigid and deformation.
- The sliding surface of vise is heat treatment HRC45 degrees, and ground precision.

單位: mm

訂購編號 Order No.	型號 Model	A	B	C	D	E	F	G	H	I	J	K	X	Y	Z	夾持力(kgf) Power	重量(kg) Weight
35058-60	HN600	618	226	204	150	134	0~300	140	57	186	209	252	0~100	100~200	200~300	4500	55
35058-80	HN800	695	278	230	200	148	0~300	157	64	237	260	270	0~100	100~200	200~300	8000	92