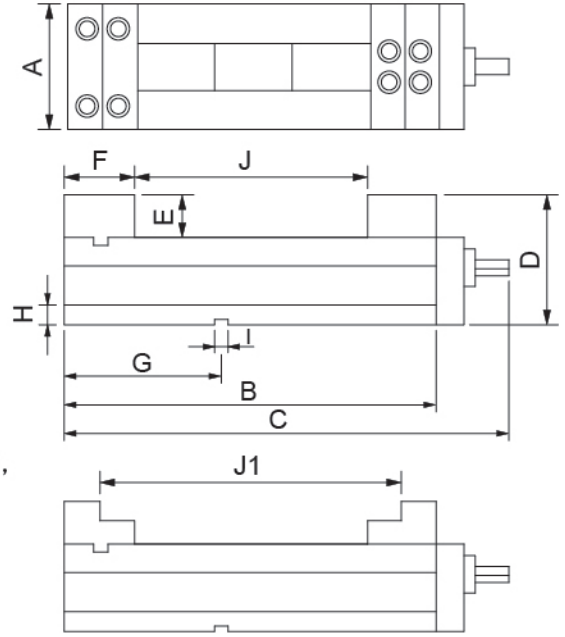
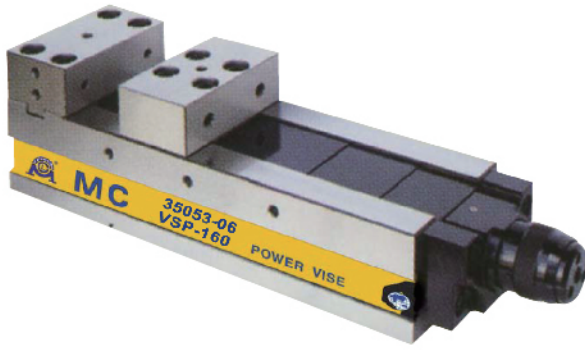


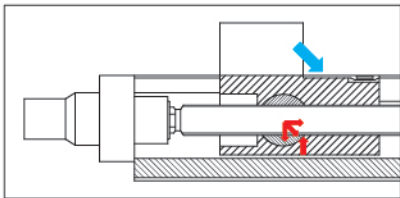


35053

角固倍力定壓式虎鉗 SUPER OPEN VISE



- 全自動伸縮防塵設計,可防止切削屑所引起的動作不良.
- 較同等級虎鉗有將近2倍的開口,可輕易夾持較長工件.
- 新開發專利無油倍力定壓式機械增壓系統,可輕易設定所須壓力,夾持力永不退壓.
- Chip cover adopted, preventing chips falling into causing bad motion.
- Double opening than those of same grade vise. Can easy clamp longer work piece.
- New development patented, oil-free powerful mechanical boost system, which gives greater clamping and never collapsing pressure.



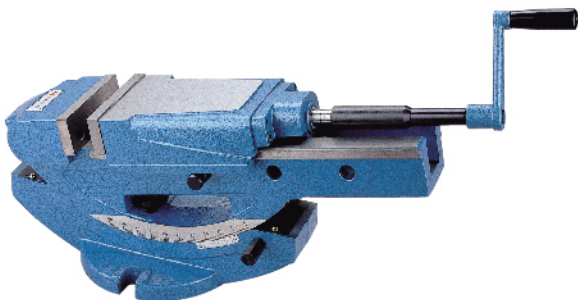
- 內藏防止上浮機構,夾持時往下方的力亦作動,因此工件及可動體的上浮極小. 本體及固定顎為一體構造,因此可防止鉗體的傾倒.
- This unit had prevent lifting structure, when clamping in down direction power also acting, so the workpiece and movable parts lift very small, furthermore, the body and solid jaw is a combination structure, it dose not tilt.

單位: mm

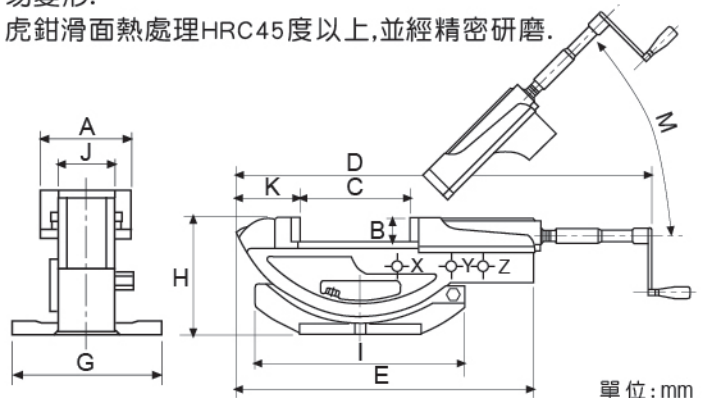
訂購編號 Order No.	型號 Model	A	B	C	D	E	F	G	H	I	J	J1	夾持力(kgf) Power	重量(kg) Weight
35053-04	VSP-4	100	310	425	95	45	70	110	23	18	140	200	4000	27
35053-05	VSP-5	130	410	525	100	50	80	135	23	18	230	315	4000	45
35053-06	VSP-6	160	490	610	110	55	85	200	23	18	300	385	5000	60
35053-08	VSP-8	200	565	680	120	60	100	220	23	18	350	450	5000	100

35055

可調式油壓虎鉗 TILTING HYDRAULIC MACHINE VISE



- 滑軌式角度調整設計,角度可調整0~45度.
- 內藏式油壓.增壓設計,要以瞬間之力輕敲把手,自動轉換成增壓進給.
- 本體和固定虎口為一體成形,FC30鑄鐵製造,剛性強,不易變形.
- 虎鉗滑面熱處理HRC45度以上,並經精密研磨.



單位: mm

- Adjustable Slide angle designed, the range of adjustment is from 0 to 45 degrees.
- Built-in oil booster designed to handle and tap the power of instant, automatic conversion to pressurized feed.
- Main body and fixed jaws are shaped in whole. Made of FC30 cast iron, which is rigid and deformation.
- The sliding surface of vise is heat treatment RC45 degrees, and ground precision.

訂購編號 Order No.	型號 Model	A	B	C	D	E	F	G	H	I	J	K	M	X	Y	Z	夾持力(kgf) Power	重量(kg) Weight
35055-04	HB400	105	36	0~170	547	404	106	165	191	340	80	92	45°	0~57	55~114	112~170	2500	26
35055-06	HB600	150	53	0~300	790	580	165	225	250	435	116	123	45°	0~100	98~200	198~300	4500	70