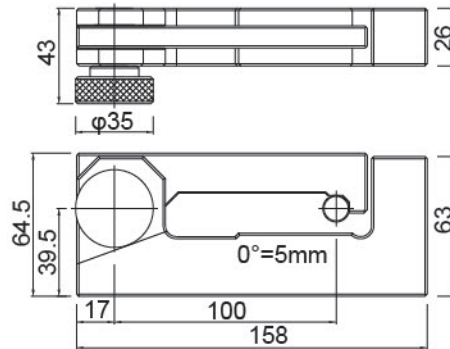




33000-10

立臥磁性正弦桿 MAGNETIC SINE BAR

● MCL-SB100



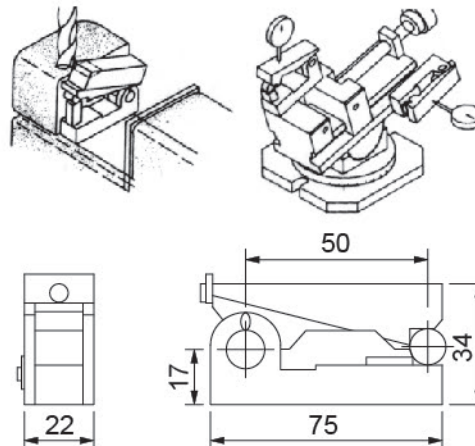
- 墊塊規使用，可測量或校正角度的準確性。
- 用於較大工具萬力內，墊各種不同角度使用。
- 作各種不同角度的加工。
- 垂直度: 0.005mm內。
- 平行度: 0.003mm內。
- 材質YK30。
- 硬度HRC56-58°。
- 重量:1.6kg。

- With Gauge block, it can be measured or corrected the accuracy of angle.
- Suitable to use on large tool maker vise with varied angle.
- Can be used to do many different accuracy of work.
- Material: YK30
- Harden: HRC56° -58°
- Parallelism is within 0.003mm.
- Squareness is within 0.005mm.
- Weight:1.6kg

33001-05

磁性正弦桿 MAGNETIC SINE BAR

● MCL-P75



- 墊塊規使用，可測量或校正角度的準確性。
- 用於較大工具萬力內，墊各種不同角度使用。
- 作各種不同角度的加工。
- 垂直度: 0.005mm內。
- 平行度: 0.003mm內。
- 材質YK30。
- 硬度HRC56-58°
- 重量:1kg。

- With Gauge block, it can be measured or corrected the accuracy of angle.
- Suitable to use on large tool maker vise with varied angle.
- Can be used to do many different accuracy of work.
- Material: YK30
- Harden: HRC56° -58°
- Parallelism is within 0.003mm.
- Squareness is within 0.005mm.
- Weight :1kg