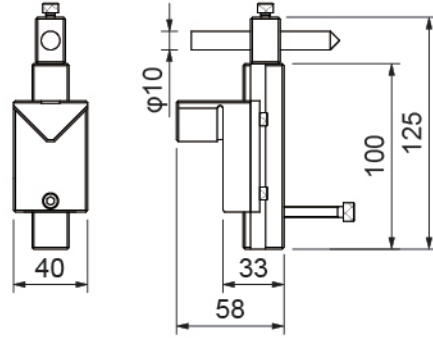
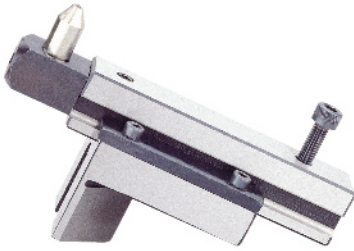




31036

角度修整器 ANGLE DRESSER

● MCL-350-1



■使用範例Example：



- 專為修整砂輪設計，搭配MCL-350.MCL-450一起使用，可將砂輪修整成所需形狀。
- Specially designed for dressing wheel, collocation use with MCL-350/MCL450, trimmed to required shape of wheel.

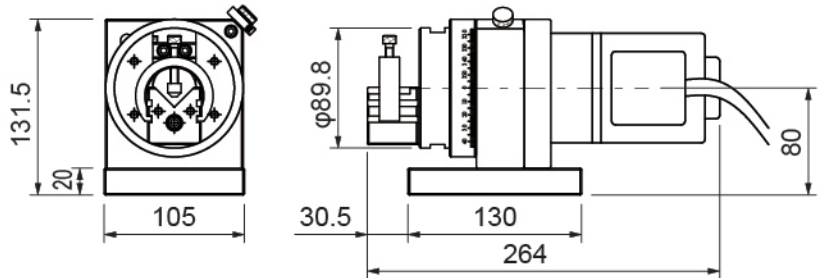
適用各種形狀沖頭之修整
Punch forming application



31038

電動沖子研磨機 MOTOR PUNCH FORMER

● MCL-350AB



- 此款研磨器藉由馬達帶動，不需人工手搖操作，可節省加工時間。

- Motor punch former driven by motor, without hand manual operation, saving processing time.

■規格：

- V型塊夾持範圍.直徑3-30mm
- V型塊活動範圍:上24mm/下16mm
- 最大迴旋直徑200mm
- 夾持圓棒偏擺度2 μ 內
- 夾持圓棒偏擺度(50mm長)6 μ 內

■Specifications:

- V-block Clamp range: φ 3- φ 30mm
- The activities of V-block:Up 24mm/Down 16mm
- Maximum swing diameter: 200mm
- The deflection with round rod: under 2 μ
- The deflection with 50mm round rod: under 6 μ

■標準配件：

1. C型夾1只
2. 4mmT型板手1支
3. 六角板手3mm×1支,5mm×1支

■Accessory:

1. C type clip-- 1 piece
2. 4mm T type spanner-- 1 piece
3. Hexagon type spanner-- 3mm*1 piece.5mm*1 piece

單位:mm

訂購編號 Order No.	型號 Model	電源 Power	轉速 Speed
31038-15	MCL-350AB×110V	AC 110V 50/60Hz 單相 SINGLE PHASE	16~233 R.P.M
31038-20	MCL-350AB×220V	AC 220V 50/60Hz 單相 SINGLE PHASE	16~233 R.P.M