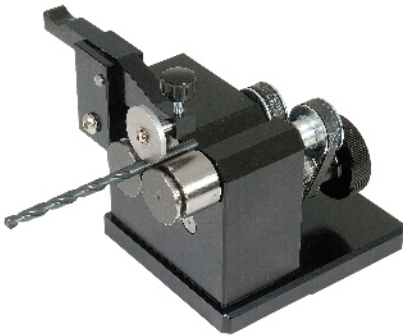




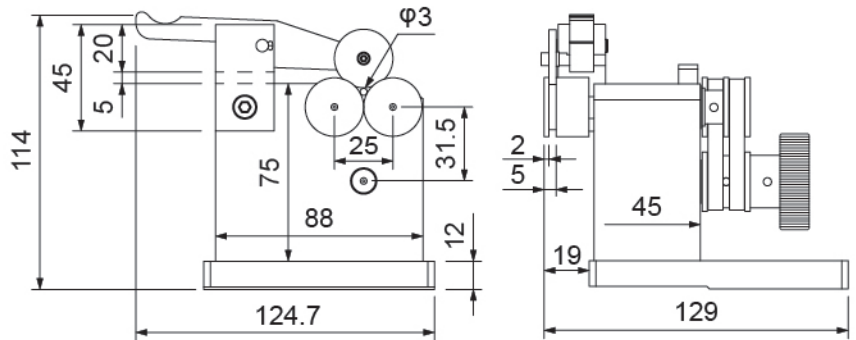
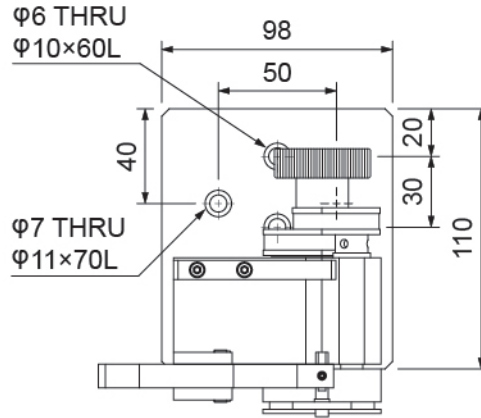
31011-05

小型沖子研磨器 PUNCH GRINDER

● MCL-3DC



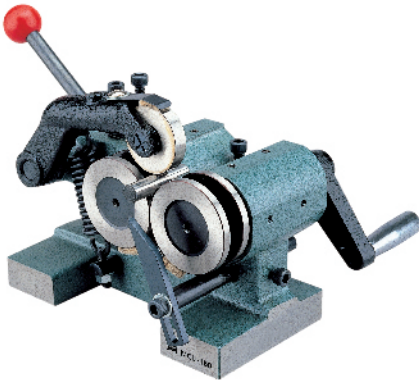
- 適合小型精之沖針作精密研磨加工。
- 適用夾持範圍：φ3~φ15MM。
- Suitable for small pin for precision grinding.
- Applicable gripping range: φ3 ~ φ15MM.



31015

沖子研磨機 PUNCH GRINDER

● MCL-150



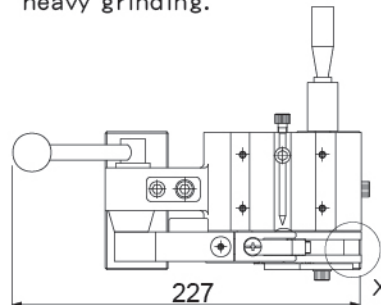
■ 規格:

- 滾輪夾持範圍: φ 1.5~φ 25mm
- 伸出研磨長度:5~35mm以內
- 研磨精度:0.005mm以內
- 重量:6kg

■ Specifications:

- Grinding Diameter: φ 1.5~ φ 25mm
- Outside Grinding Length:5~35mm
- Accuracy:0.005mm
- Weight:6kg

- 手搖沖子研磨器可裝置在平面磨床上使用，挾持圓形沖頭時無須調整，即可得同心圓。
- 可調整旋轉按壓滾輪左右方向，使工件前進或後退，再做研磨。
- 配合加工不同尺寸的沖子，在壓力臂上之壓力螺絲可調查壓力大小，使其加工更穩固。
- Punch grinder is a tool which can be put on the surface of grinding machine for grinding punches. It can do cylindrical grinding automatically.
- The rollers can be used to adjust the workpiece before grinding.
- Use screw pressure for firm holding as shown in the picture for heavy grinding.



X 詳圖

