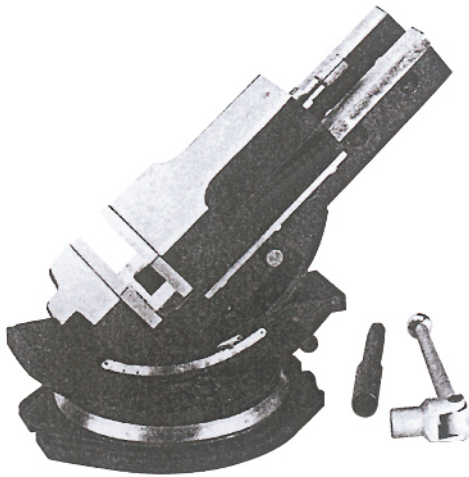




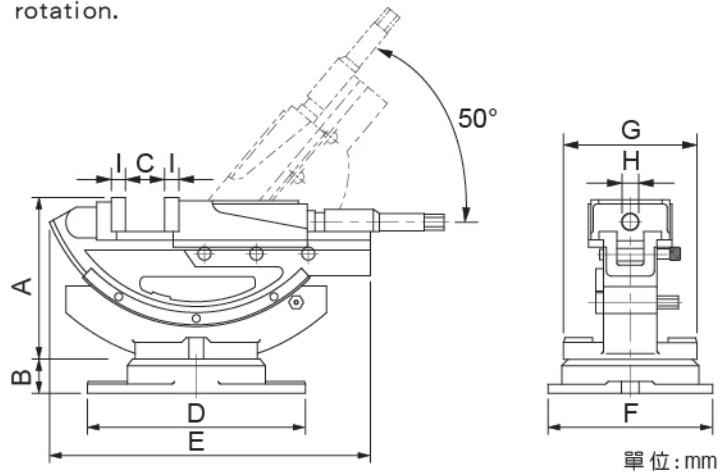
35038

雙向超大開口虎鉗 2-WAY SUPER OPEN VISE



- Made of high-quality cast iron, after painting, the surface is grinded precision.
- Angle-solid designed, when clamp the work piece, the vise lock down automatically.
- Angle adjustment with slide designed, and the range of adjustment is from 0 to 50 degrees.
- The open range of jaws is larger than general one. There are 4 positioning holes for adjusting.
- The maximum opening of HHY-150 is up to 310mm
- There' s scale degree on the base, 360 degree rotation.

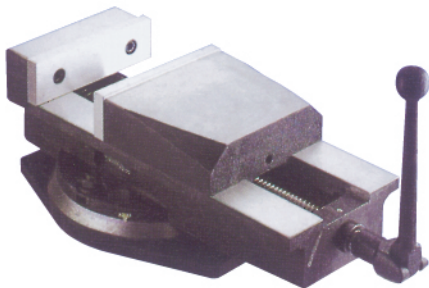
- 高品質鑄鐵製造,表面噴漆後,並經精密研磨.
- 角固型設計,夾持工件時,虎鉗口自然向下鎖緊.
- 滑軌式角度調整設計,前後角度可調整0~50度.
- 夾持開口較一般虎鉗大,有四個定位孔可調整固定.
- HHY-150最大開口可達310mm.
- 底座有度數刻度,可360度旋轉.



訂購編號 Order No.	型號 Model	A	B	C	D	E	F	G	H	I	重量(kg) Weight
35038-60	HHY-150	214	40	310	336	485	300	238	19	15	58

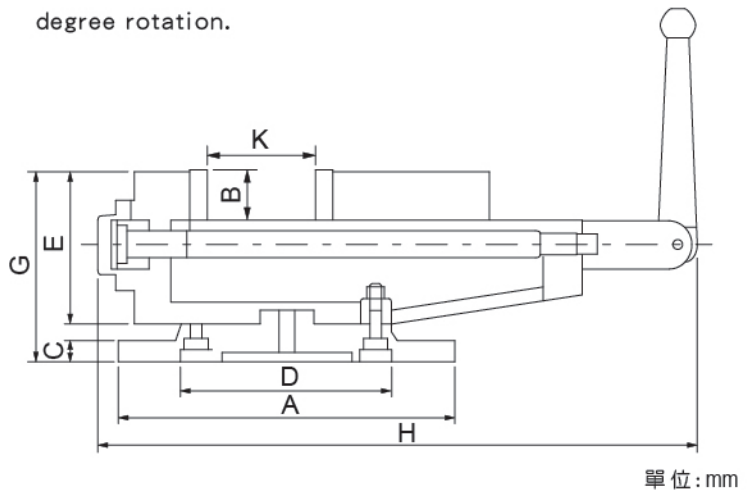
35039

延長式角固虎鉗 LONG JAW ANGLELOCK MACHINE VISE



- The grip range of Vise is bigger than general large vise.
- Angle-solid designed. When clamping the work piece, the vise lock down the automatically.
- There is scale degree, on the base, and 360 degree rotation.

- 本體滑座較一般角固虎鉗長,夾持距離較大.
- 角固型設計,夾持工件時,虎口自然向下鎖緊.
- 底座有度數刻度,可360度旋轉.



訂購編號 Order No.	型號 Model	A	B	C	D	E	G	H	W	K	重量(kg) Weight
35039-08	XL-8	330	60	40	220	148	188	646	270	266	72