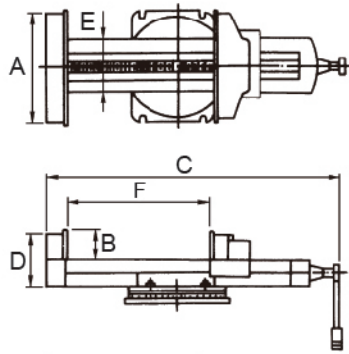
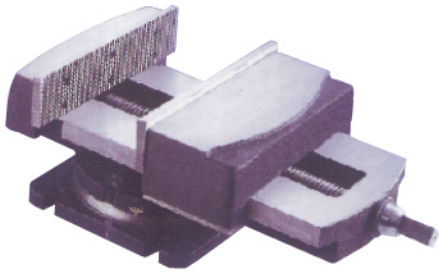




35034

鉋床虎鉗 MACHINE VISE FOR SHAPER USE



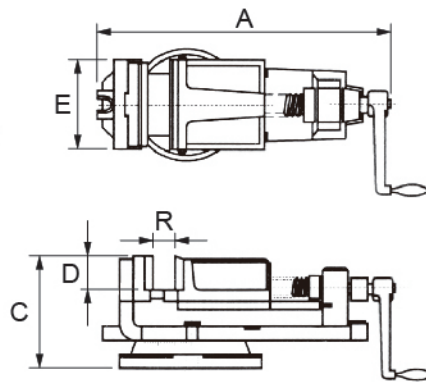
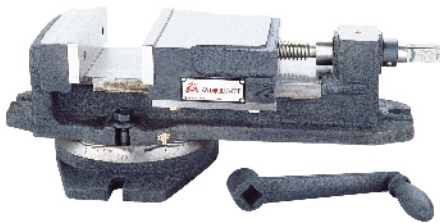
- 虎鉗口夾持面寬,適用傳統鉋床機器使用.
- 主體降低高度,可增加工件加工範圍.
- 底座有度數刻度,可旋轉調整角度.
- The vise can clamp wide range, suitable for traditional shaper machine use.
- The main body reduce the height, it can add extra-work range of work-piece.
- The base have degree graduation can revolve adjust angle.

單位: mm

訂購編號 Order No.	型號 Model	A	B	C	D	E	F	重量(kg) Weight
35034-12	SKV-12	300	70	650	170	200	300	75
35034-16	SKV-16	400	85	750	183	250	400	110
35034-20	SKV-20	500	95	850	204	300	500	150

35035

K型虎鉗 K-TYPE MACHINE VISE



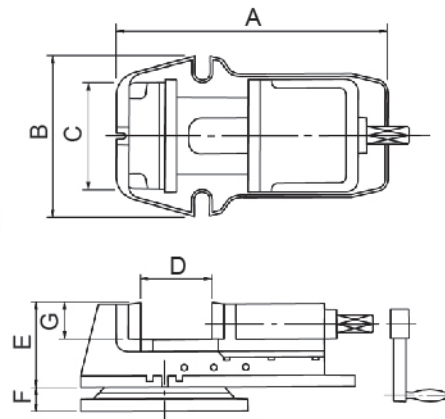
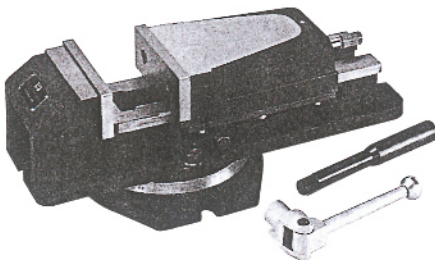
- 簡易的機械設計,操作方便,適合作輕中切削使用.
- 本體和固定虎口為一體成形,夾持工件時可降低固定虎口向後傾斜.
- 底座有度數刻度,可360度旋轉.
- The base swivels 360° permitting for locking at any position.
- Smooth jaw plates on movable and stationary jaws.
- Vise body is manufactured from ductile cast iron.

單位: mm

訂購編號 Order No.	型號 Model	E	A	C	D	R	重量(kg) Weight
35035-10	MCL-LK100	100	295	100	30	62	11
35035-13	MCL-LK130	125	370	128	37	85	17
35035-15	MCL-LK150	150	462	145	40	114	28
35035-20	MCL-LK200	200	620	189	58	150	58

35036

超大開口角固虎鉗 SUPER OPEN MILLING MACHINE VISE



- 虎鉗夾持開口較一般虎鉗大,底座有度數刻度,可360度旋轉.
- 角固設計,夾持時虎鉗口自然向下鎖緊.
- 本體和固定虎口為一體成形,FC30鑄鐵製造,剛性強不易變形.
- The grip range of Vise is bigger than general large vise. There is scale degree, on the base, and 360 degree rotation.
- Angle-solid designed. When clamping the work piece, the vise lock down the automatically.
- Main body and fixed jaws are shaped in whole. Made of FC30 cast iron, which is rigid and deformation.

單位: mm

訂購編號 Order No.	型號 Model	A	B	C	D	E	F	G	重量(kg) Weight
35036-40	H-400	394	204	110	200	105	35	40	19
35036-60	H-600	535	256	165	275	142	32	61.5	45
35036-80	H-800	605	300	220	336	144	40	62	75