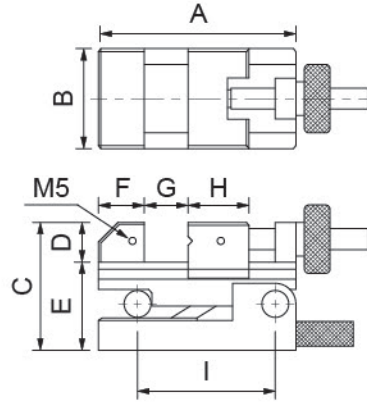
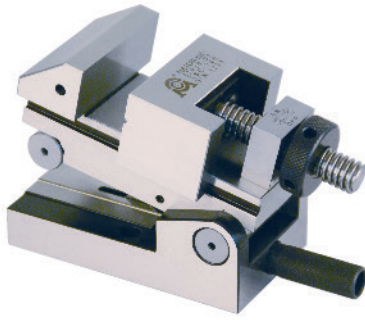




33019

微調正弦萬力 PRECISION SINE VISE



- 微調正弦開口設計，操作簡易，精密度高且穩固。
- 握把式旋轉，夾持方便，配合墊塊使用可調整至多種角度，作精密角度加工研磨。
- Adjustable sine openings designed, simple operation, high precision and robust.
- Rotary handle is easy to grip. You can adjust a variety of angles with adjustable block for precision grinding.

■規格:

- 材質：SKS
- 硬度：HRC58°~60°
- 深冷處理：-185° C
- 平行度：0.003mm內/100mm
- 垂直度：0.005mm內/100mm
- 角度誤差：15秒以內

■Feature:

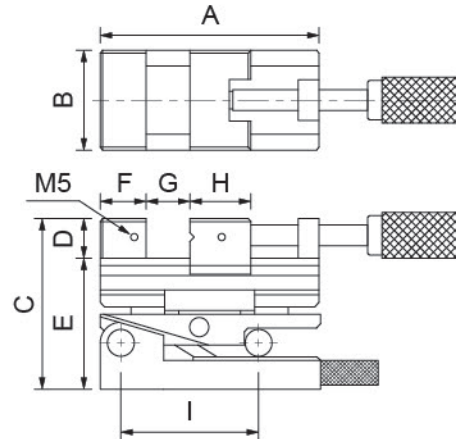
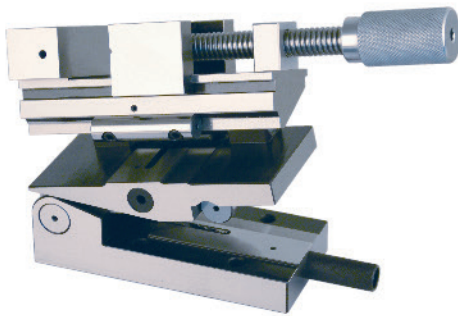
- Material : SKS
- Hardness : HRC58°~60°
- Cooling treatment : -185° C
- Parallelism within 0.003mm/100mm
- Squareness within 0.005mm/100mm
- Angle tol. : Within 15sec

單位:mm

訂購編號 Order No.	型號 Model	A	B	C	D	E	F	G	H	I	最大角度 Max. Angle	重量(kg) Weight
33019-07	ASC-700	130	73	93	30	63	33	45	45	100	46	6

33020

雙向微調正弦萬力 PRECISION COMPOUND SINE VISE



- 微調正弦開口設計，操作簡易，精密度高且穩固。
- 握把式旋轉，夾持方便，配合墊塊使用可調整至多種角度，作精密角度加工研磨。
- Adjustable sine openings designed, simple operation, high precision and robust.
- Rotary handle is easy to grip. You can adjust a variety of angles with adjustable block for precision grinding.

■規格:

- 材質：SKS
- 硬度：HRC58°~60°
- 深冷處理：-185° C
- 平行度：0.003mm內/100mm
- 垂直度：0.005mm內/100mm
- 角度誤差：20秒以內

■Feature:

- Material : SKS
- Hardness : HRC58°~60°
- Cooling treatment : -185° C
- Parallelism within 0.003mm/100mm
- Squareness within 0.005mm/100mm
- Angle tol. : Within 20sec

單位:mm

訂購編號 Order No.	型號 Model	A	B	C	D	E	F	G	H	I	最大角度 Max. Angle	重量(kg) Weight
33020-07	AS2D-750	160	73	124	30	94	33	80	45	100	46	8.8