

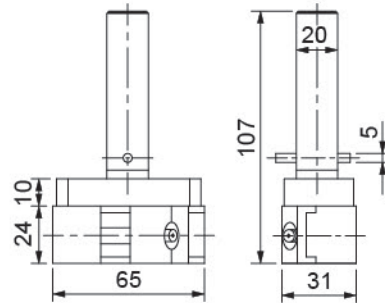
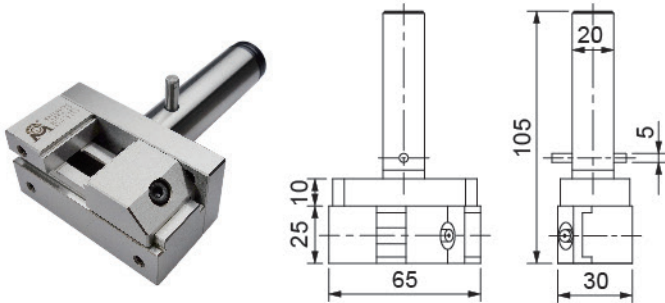


33002

放電加工萬力 ELECTRODE HOLDERS

● 33002-10 MCL-V10L

● 33002-12 VL-10  
(不銹鋼 STAINLESS STEEL)



- 平行度0.003mm內 / 垂直度:0.004mm內。
- 材質SK2、硬度HRC54-56°
- 重量:0.5kg。
- Material: SK2 Harden: HRC54° -56°
- Parallelism is within 0.003mm.
- Squareness is within 0.004mm.
- Weight:0.5kg

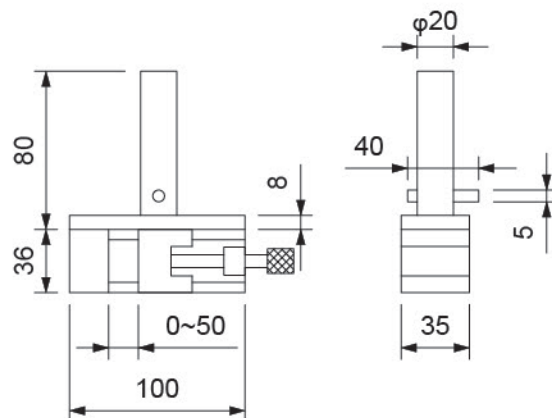
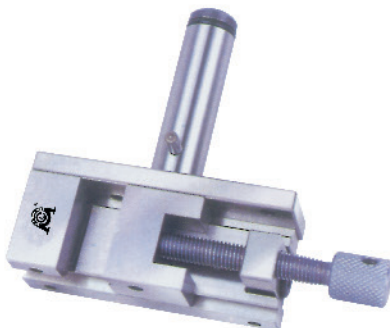
- 平行度0.003mm內 / 垂直度:0.004mm內。
- 材質SUS440、硬度HRC50-55°
- 重量:0.5kg。
- Material: SUS440 Harden: HRC50° -55°
- Parallelism is within 0.003mm.
- Squareness is within 0.004mm.
- Weight:0.5kg

- 放電加工萬力，專為放電加工機械設計使用，可方便挾持各種不同規格之電極銅。
- 精密加工製造，保證其品質及精度。
- The electrical discharge machining vise is specially designed for electrical discharge machinery.  
It's easy to clamp any sizes of electrode copper
- Made by accurate process, and the quality and accurate is guaranteed.

33003

放電加工萬力(不銹鋼) ELECTRODE HOLDERS (STAINLESS STEEL)

● MCL-A10L



- 專為放電加工機械設計使用，方便夾持各種不同規格之電極銅。
- 平行度:0.003MM內。
- 垂直度:0.005MM內。
- 材質:SUS440，硬度:HRC50° ~55°。

- Designed for EDM machine , easy to grip various specifications of copper electrode.
- Parallelism within:0.003MM/100MM.
- Squareness within:0.005MM/100MM.
- Material:SUS440 , Hardness:HRC50° ~55° .