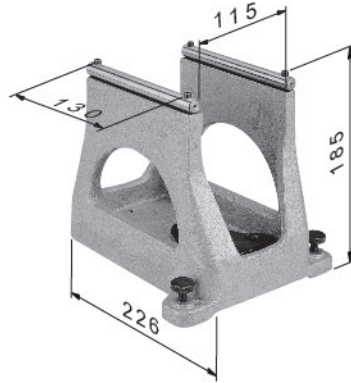




32210

8"平衡台 FLEXIBLE BALANCING STAND

● MCL-205



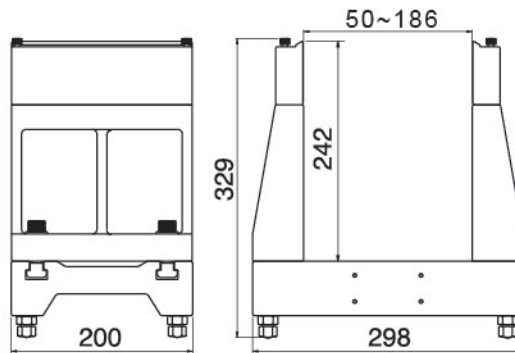
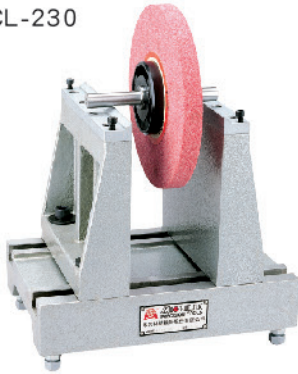
- 平衡台內含有一個水平儀，可用基座上3顆螺絲來調整其水平度。
- 圓形滑桿經過精密研磨，熱處理硬度HRC56-58度。
- 最大校正砂輪直徑205mm(8")。
- 重量:3.9kg。

- The machine includes a water level indicator which is to use 3 screws of the base to adjust the level.
- The upper is round rod and the slide is finished heat treatment which is highly durable and the hardness is HRC56-58° .
- The maximum diameter of wheel within 205mm(ϕ 8") can use this model.
- Size: 230(L) \times 200(W) \times 170(H)mm
- Weight:3.9kg

32215

16"平衡台 FLEXIBLE BALANCING STAND

● MCL-230



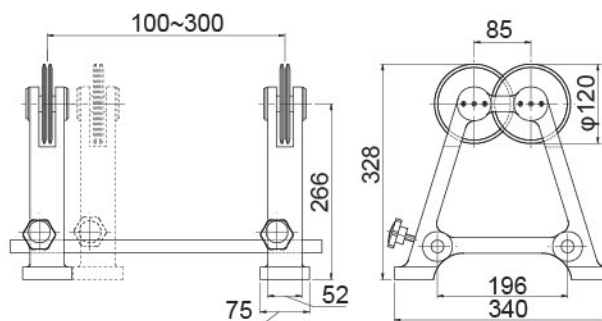
- 設計有精密的滑板底座，和直立式水平基座。
- 水平基座可隨校正砂輪的大小，移動調整基座的寬度。
- 水平板經過精密研磨，熱處理硬度HRC58~60° 可精確的滾動校正砂輪重心。
- 底座利用4顆螺絲來調整水平面。
- 最大校正砂輪直徑406mm(16")。
- 外觀尺寸300 \times 200 \times 250mm。
- 重量:32kg。

- The two sides of double cutters bases can move right and left.
- MCL-230 is the highest precision among other balancing stands.
- It adopted two-sides Slide face.
- The heated treatment of the cutter is between HRC58~60° .
- The 4 sides is to adjust the level.(Please prepare the water level indicator.)
- Max. wheel diameter allowed ϕ 406mm(16")
- Size:300 \times 200 \times 250mm。
- Weight:32kg

32220

滑輪式平衡台 FLEXIBLE BALANCING STAND

● MCL-508



- This machine adopts 4 intersect rollers to move the wheel, the heated treatment of roller surface is HRC56~58° .No need to adjust the level before using.
- The max ranges of the two side-rollers is 300mm. The wheel diameter within 508mm(20").
- Weight:13.2kg。

- 華輪式平衡台設計採用4個刀口狀的交叉圓盤。
- 圓盤經過精密研磨，可精確的滾動校正砂輪重心。
- 圓盤熱處理硬度HRC56~58° 。
- 最大校正砂輪直徑508mm(20")。
- 重量:13.2kg。