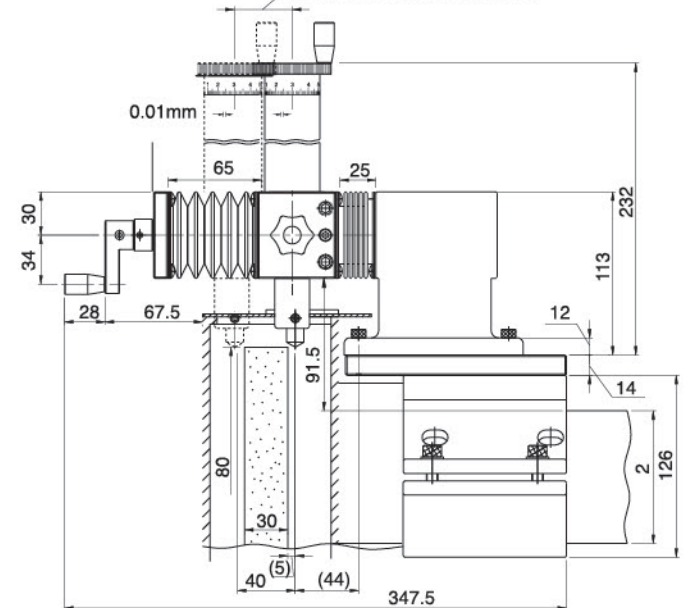


前、後位移最行程 40mm
MAX. SIDE OF FRONT AND BACK 40MM



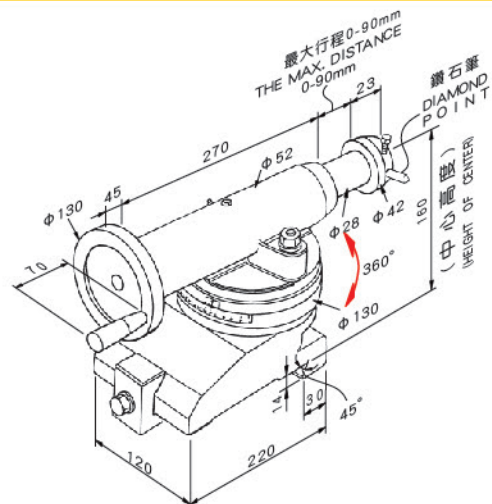
- 此套筒是配合E20砂輪修整器使用，固定於平面磨床主軸上，以確保砂輪修整器之穩定。
- 配合不同之平磨機器規格，有93與95mm兩種尺寸。
- Sleeve is used with E20 wheel dresser, which is installed on small surface grinder. Regularly, the spindle holder of small surface grinder is round. Wheel dresser has to be used with round sleeve than can be installed on small surface grinder.
- Material of the sleeve is aluminium alloy and inside dia. is 93mm or 95mm.

訂購編號 Order No.	φ A	重量(kg) Weight
32087-93	φ93	2.2
32087-95	φ95	2.2

32116-10

砂輪角度修整器 ANGULAR TRUING ATTACHMENT, TABLE-MOUNTED TYPE

- AD-160



- 適用圓筒磨床，安裝於床台上來進行角度修整。
- 圓盤刻度設計，操作簡易，可以旋轉到你要的角度。
- 具有防塵設計，滑動軌硬度HRC55~57°
- 砂輪修整管修整行程:0 ~ 90mm。
- 重量:18kg。

- Apply in the circular grinding machine. Installed in flat table and proceeding press the angle.
- The disk is scale designed, and easy to operate. Can be rotated to any angle that you need.
- Dust protection designed. The Hardness of movable track is HRC55 ~ 57° .
- The prune distance of the prune tube: 0 ~ 90mm.
- Weight:18kg.