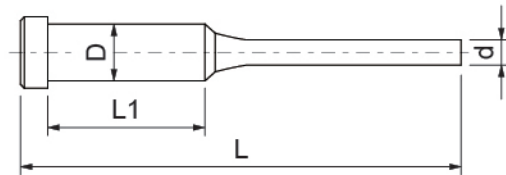
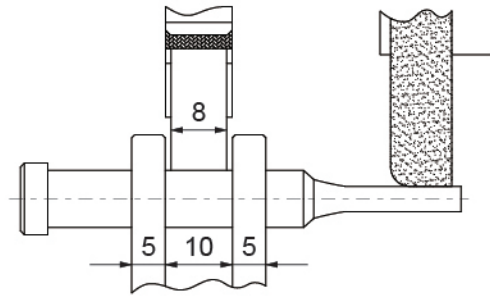
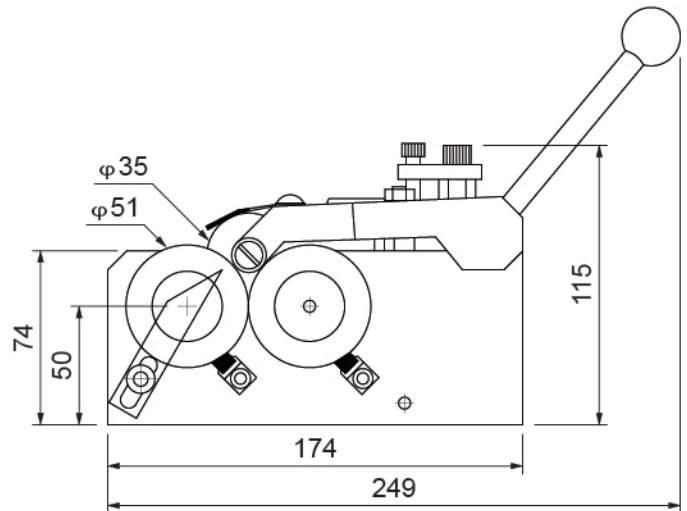
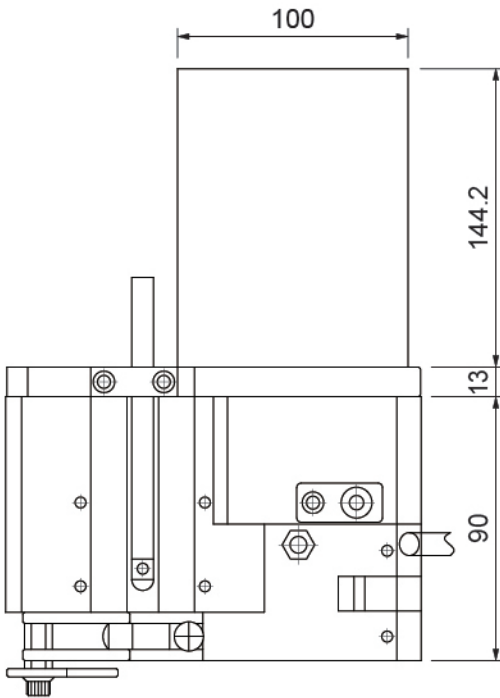




● MCL-250



- D : ϕ 1.5 ~ ϕ 25mm
- d : ϕ 0.5 ~ ϕ 25mm
- L : Max. 120mm
- L1 : Min. 22mm



- 電動沖子研磨器是由馬達帶動，可避免手搖疲勞現象。
- 雙滾輪設計，挾持圓形沖頭時無須調整校正中心。
- 可配合正弦磁台使用，研磨各種斜度。
- Electric Punch grinder is driven by motor, to avoid hand fatigue.
- No center alignment necessary. Just put workpiece on rollers.
- It can be used with magnetic sine plate to grind various angle profile punch.

■ 規格:

- 滾輪挾持範圍: ϕ 1.5 ~ ϕ 25mm
- 工件長度: 20 ~ 120mm
- 伸出研磨長度: 5 ~ 35mm 以內
- 研磨精度: 0.005mm 以內

■ Specifications:

- Grinding Diameter: ϕ 1.5 ~ ϕ 25mm
- Length Of Workpiece: 20 ~ 120mm
- Outside Grinding Length: 5 ~ 35mm
- Accuracy: 0.005mm

訂購編號 Order No.	型號 Model	馬達 Motor	重量(kg) Weight
31025-11	MCL-250*110V	110V/60Hz 129R.P.M	11
31025-22	MCL-250*220V	220V/50Hz 108R.P.M	11